



Installation & Operation Manual

1. Flushing the system before use

Only for cold tap water. For the first time, please flush the water for at least 10 minutes to ensure the removal of the carbon fines.

If water is not used for more than 3 days (eg when you come back from holiday), please flush the water for a few minutes before use.

2. Function

This water filter reduces the following contaminants:

reduces sediment, rust, silt

reduces chlorine taste and odour

reduces cycts

reduces organic matter such as Atrazine & Lindane

reduces lead

3. Technical parameters

Dimensions: 11.5cm×30cm

Flow Rate: 0.5gpm(1.9Lpm)

Capacity: 500Gallons(1890L)

Working Pressure: 30-100Psi (2.1-6.9bar)

Operating Temperature Range: 40-100F(4-38C)

Water source: Tap water

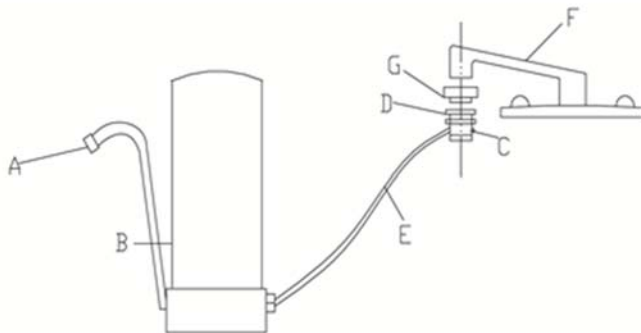
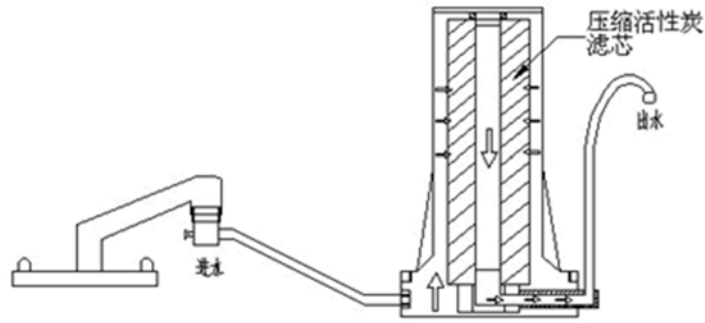
NSF Certificates: 42 & 53

Note: P3200W: White housing

P3200C: Housing with Chromate

Caution: Do not use with water that is microbiologically unsafe or of unknown quality without adequate disinfection before or after the system.

4. Diagrams



A. spout; B. housing; C. button; D. diverter valve; E. hose; F. faucet; G. adapter

5. Installation

Step A: Open the housing, remove the cling wrap packaging of the cartridge, and reinstall the cartridge back to how it was.

Step B: Check parts list to make sure you have all the parts needed.

Step C: Unscrew existing aerator from your faucet. Replace it with the provided Diverter Valve.

Step D: Place your water filter in a desired location near the sink.

Step E: Push double "O" ring end of spout into the hole on the base of the housing.

6. Maintenance - Change of Cartridge

Replace cartridge when capacity is reached or when flow becomes too slow. Replace about once a year generally.

A. Turn the filter upside down in sink to remove most of the water (with housing). Unscrew housing to open and remove cartridge.

B. Rinse out housing.

C. While housing is still upside down, put in new cartridge, making sure that the hole in the middle of the cartridge fits on the post of the inside of the top of the housing. Screw on snugly.

Finish replacement and you are now ready for another 740 gallons of filtered water!

Distributed by
Quantum Impact Pte Ltd
www.WaterFilter.com.sg
enquiry@waterfilter.com.sg

To register for warranty, please fill up the form at www.waterfilter.com.sg/warranty-registration & submit online.